

ROTO-JET® PUMP

High Pressure Pitot Tube Pumps

Model 2100
Grease Lubricated



High Pressure Multi-Stage Performance with the Cost Advantage, Simplicity and Reliability of a Single-Stage Pump

Benefits of the Roto-Jet 2100 Pump

Improved Design

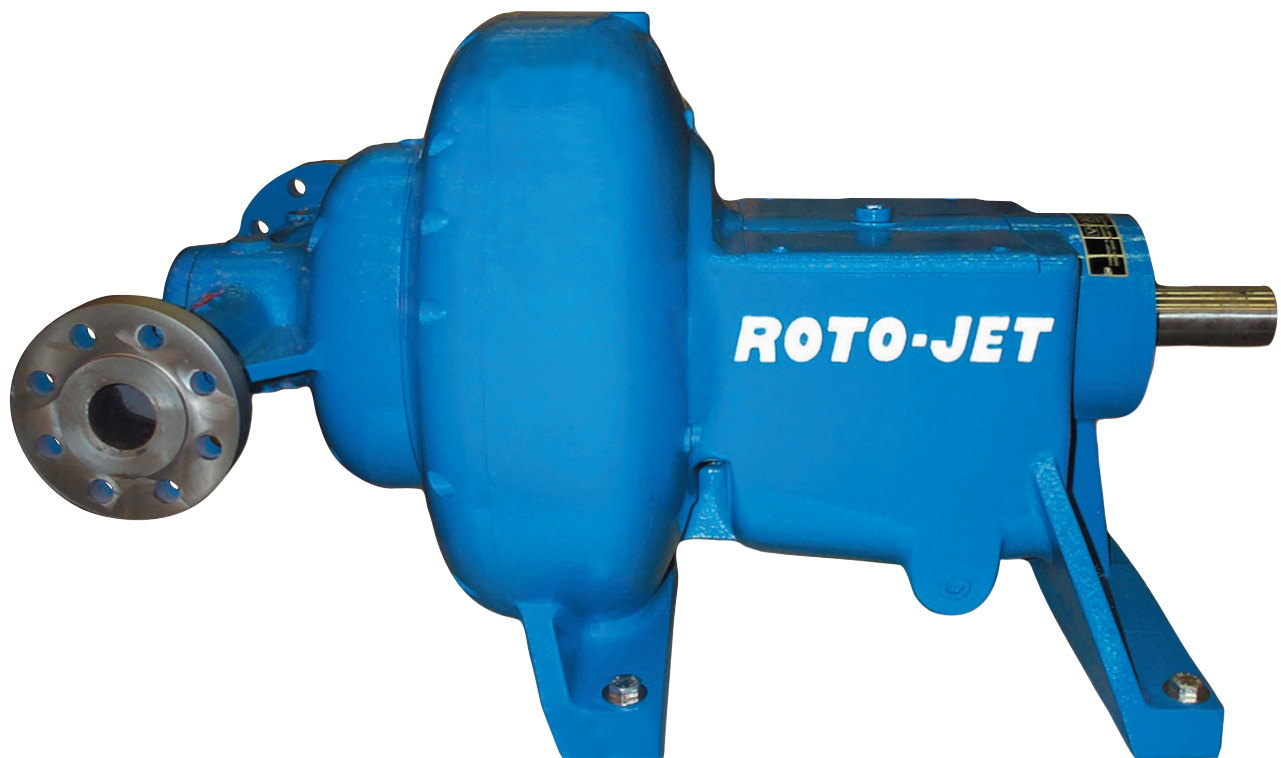
- **Lower Energy Cost:**
Higher efficiencies using improved patented hydraulics
- **Flexible Installation:**
Footprint interchangeable with Roto-Jet models RG and 2200
- **Low Maintenance Cost:**
Simplified design means less maintenance

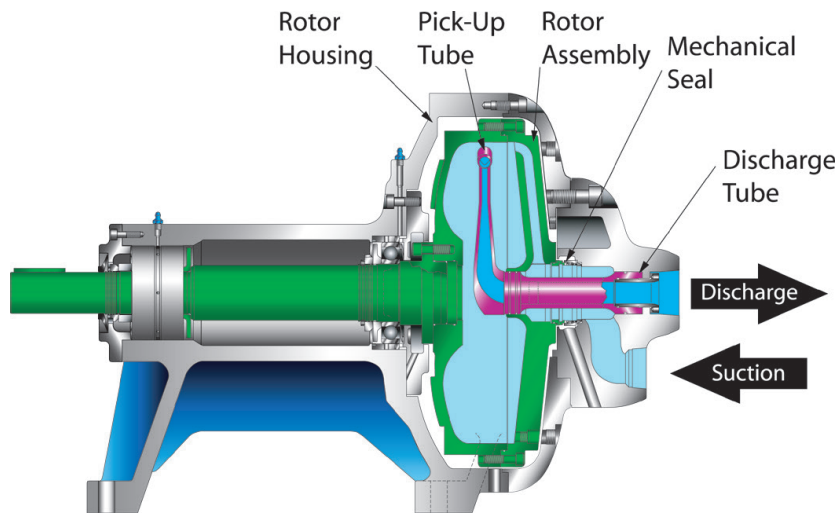
Enhanced Reliability

- **Fewer Parts:**
Pick up tube locknut design
- **Seal Designed for Low Pressure:**
Improves overall seal life
- **Isolated Bearing Pedestal:**
Minimizes risk of bearing contamination

Improved Performance

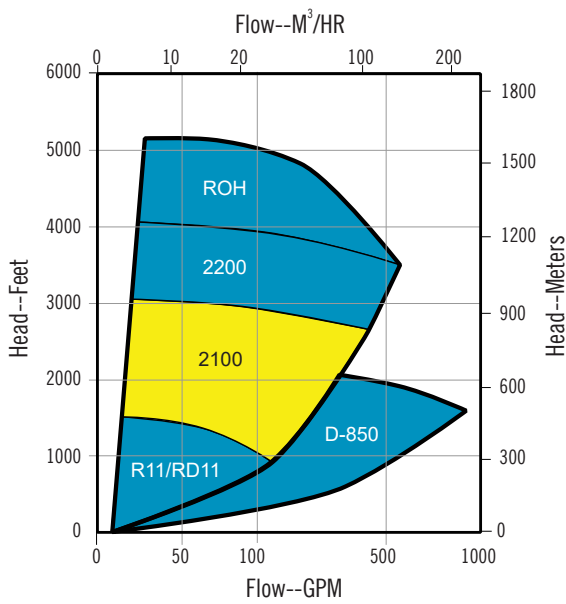
- Broad range of speed, flow, and pressure capability
- Hydraulically stable along the entire performance curve and beyond BEP
- Enhanced hydraulics over previous designs





Typical Roto-Jet Model 210 Applications

- Food and beverage cleaning systems
- Reverse osmosis systems
- Automotive gun drilling coolant
- Spraying/washing systems
- High-pressure paper shower
- Circuit board wash systems
- Water/process injection systems
- Seal flushing systems
- Boiler feed / cleaning systems
- Many more applications



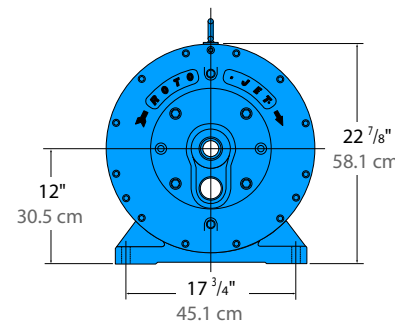
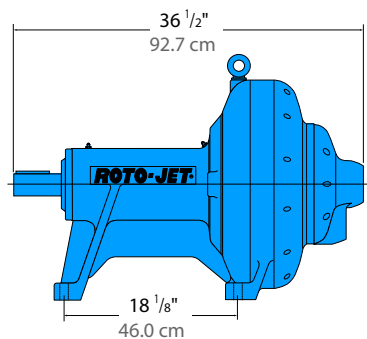
Specifications: Roto-jet Model 2100

Maximum temperature	180°F / 82°C
Max temperature - with flush	250°F / 121°C
Maximum suction pressure	200 PSI / 14 Bar
Maximum head	3000 Ft. / 911 m
Maximum speed	4709 RPM
Maximum flow	465 GPM / 105 m³/hr
Maximum horsepower	400 HP / 290 KW
Weight	825 Lbs. / 544 Kg
Lubrication	Grease

Materials of Construction	Stainless Steel Pump	Ductile Iron Pump
Rotor	316. SS	Ductile Iron
Rotor cover	316. SS	Ductile Iron
Manifold	316. SS	Ductile Iron
Endbell	Ductile Iron	Ductile Iron
Pickup tube	17-4 PH	17-4 PH
Shaft	AISI-4140	AISI 4140

Dimensions are for general reference only and will vary with actual model selected

Available with flanged connections



Trillium Pumps USA SLC

440 West 800 South
Salt Lake City, UT 84101
USA

Tel: 801 359 8731
Fax: 801 530 7828
email: rotojet@trilliumflow.com
www.trilliumflow.com

