

# ROTO-JET®

## High Pressure Pitot Tube Pumps

**Model RG 3x2**

Grease Lubricated



## High Pressure Single-Stage, Centrifugal Pump with Advanced Pitot Tube Technology

### Advanced Design

- High pressure without high speed
- Flexible: performance can be adjusted by changing the pitot tube
- Simple: only two basic working parts

### Dependable Performance

- Hydraulically stable along the entire performance curve and beyond BEP
- Low minimum flow requirement
- Rugged design: one of the most reliable high pressure pumps in the marketplace

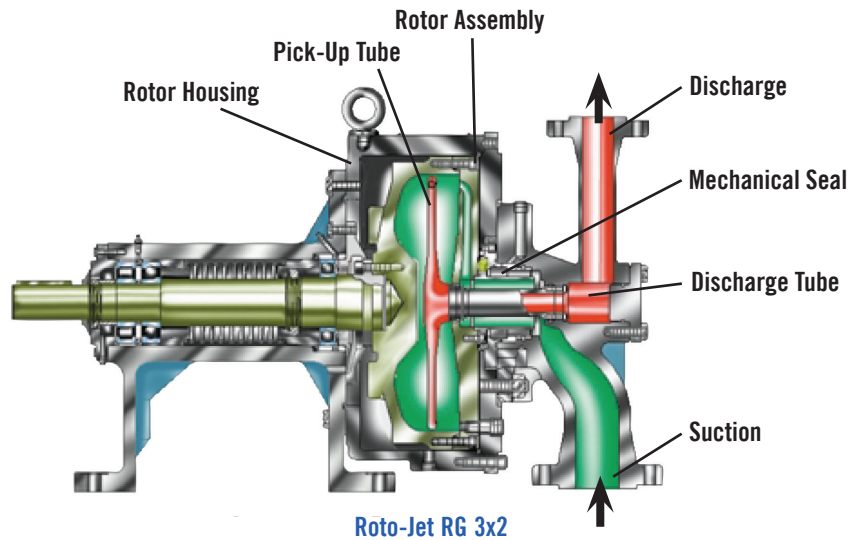
### Enhanced Reliability

- Smooth, pulsation-free flow
- Low pressure mechanical seal is easily maintained
- Isolated bearing pedestal to minimize risk of bearing contamination

### RG 3x2 Pump Features

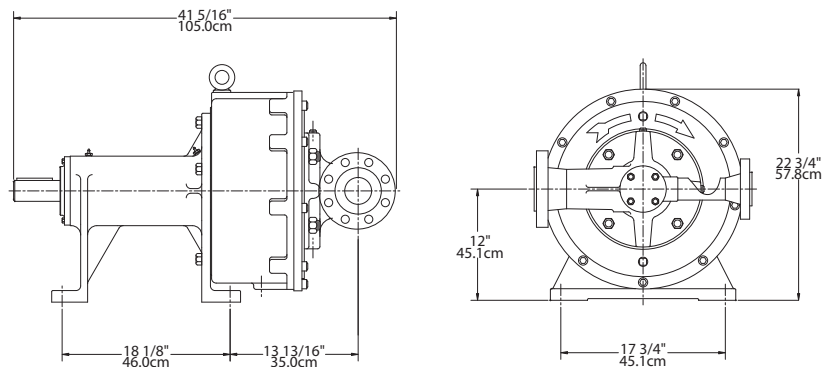
- Materials of construction: ductile iron, carbon steel, stainless steel, C6NM, and CD4MCu
- Single or double mechanical seal
- Threaded or flanged connections
- Grease lubricated bearings





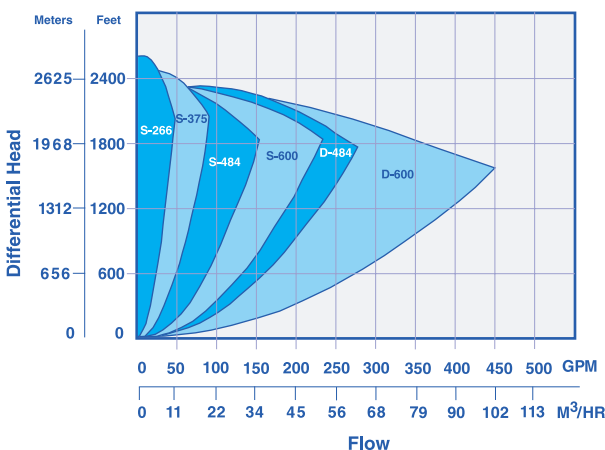
**Typical Roto-Jet Model RG 3x2 Applications**

- Food and beverage cleaning systems
- Reverse osmosis systems
- Automotive gun drilling coolant
- Spraying / washing systems
- High-pressure paper shower
- Circuit board wash systems
- Water / process injection systems
- Seal flushing systems
- Boiler feed / cleaning systems
- Many more applications



Note: Dimensions are for general reference only and will vary with actual model selected

**Operating Range**



Specifications - RG 3x2		
Maximum temperature	180° F	82° C
Maximum temperature (with flush)	250° F	121° C
Maximum suction pressure	200 PSI	14 BAR
Maximum head	2600 Ft.	792 m
Maximum speed	4380RPM	4380 RPM
Maximum flow	400 GPM	91 m3/hr
Maximum horsepower	400 HP	300 KW
Weight	870 lbs.	395 kg
Lubrication	grease	grease
Materials of Construction		
	Stainless Steel	Ductile Iron
Rotor	316 St. Steel	Ductile Iron
Rotor cover	316 St. Steel	Ductile Iron
Manifold	316 St. Steel	Ductile Iron
Endbell	Ductile Iron	Ductile Iron
Pickup tube*	17-4 PH	17-4 PH
Shaft	AISI 4140	AISI 4140

\*Also available in 718 Inconel

**Trillium Pumps USA SLC**

440 West 800 South  
Salt Lake City, UT 84101  
USA

Tel: 801 359 8731  
Fax: 801 530 7828  
email: rotojet@trilliumflow.com  
www.trilliumflow.com

